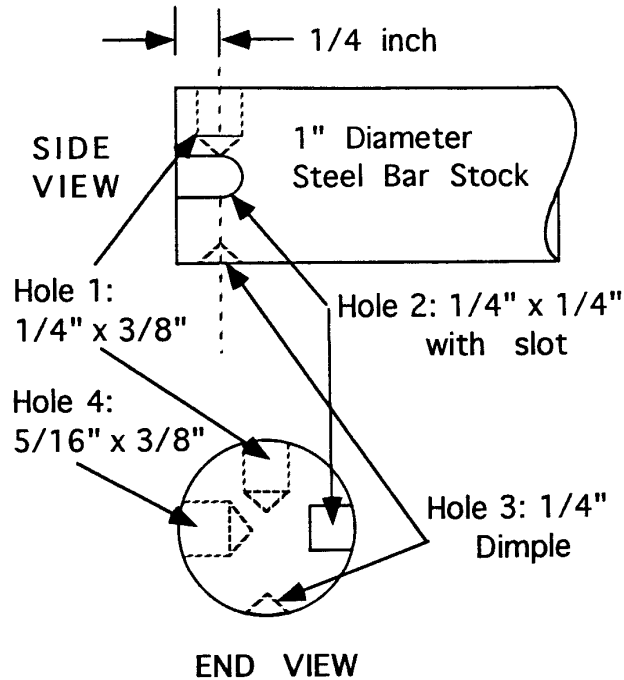


Last updated January 01, 2013

Copyright 1996-2013 Michael P. Murray & Mike's Clock Clinic

Repairing a bulging or a loose spring hook in the barrel is accomplished by the following. The bulging can be removed by hammering on a barrel stump held in a vice, and a loose barrel hook can be tightened by peening, again using the barrel stump. NOTE: Barrel stumps can be easily made using round steel bar or heavy duty steel pipe as per the drawing below.



BARREL STUMP

A service from, E-mail address: "mailto:mike@atmos-man.com"
 Mike Murray Founder of Atmos-Pros & Clocksmiths (formally Clockers)

An Atmos and Anniversary Clock Instructor!

"<http://www.atmosman.com/atmosin.html>"

"<http://www.atmosman.com/400dayin.html>"

Mike's Clock Clinic

Web address "<http://www.atmosman.com/>"

Main FTP site is located at:

"<http://www.home.earthlink.net/~atmosman/earthftp.html>"

Mike's Clock Clinic
1600 Maryland Avenue
Myrtle Point, OR 97458-1508

Phone: 541-559-1090, or 877-286-6762

Membership: NAWCC
AWI's 400-day Bench Course Instructor

Copyright 1996-2013 Michael P. Murray & Mike's Clock Clinic